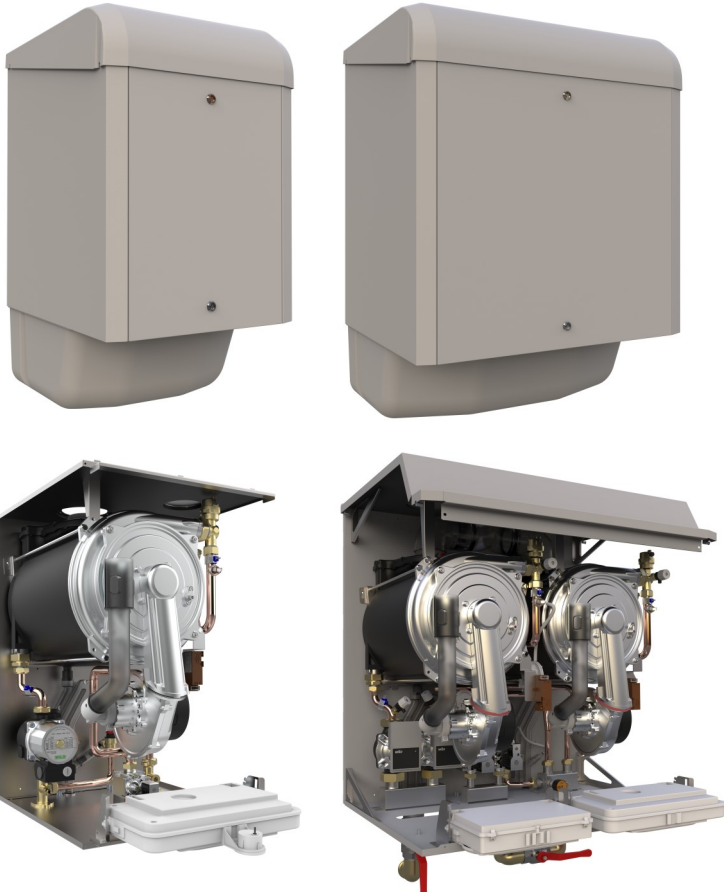


A1K Rain Wall Hung Boiler

Condensing Premix

Technical Data



FEATURES

- Condensing technology
- Stainless steel heat exchanger (AISI 304L)
- Wide modulating range (1 : 20)
- Low NOx Emissions
- Full gas/air modulation
- Electronic modulating fan with variable speed
- Digitech PCB
- Electronically controlled ErP pump with PWM control
- Frost protection
- External Installations

The A1K appliances are wall hung condensing boilers designed for heating purposes.

Available as 50kw or 100kw appliance with up to 1:20 modulation, they provide unrivalled flexibility and performance from a small footprint.

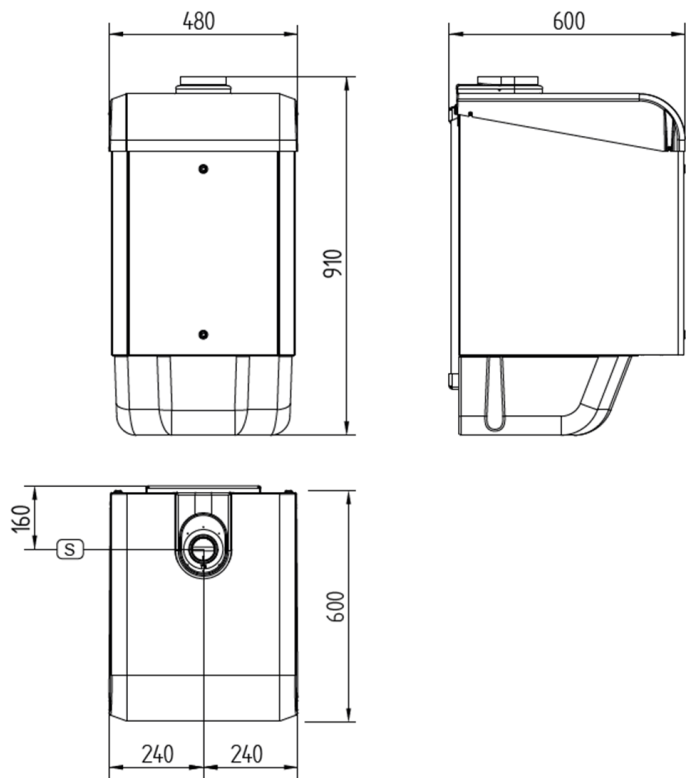
The A1K range features integrated pump/s with PWM control which works in conjunction with the PCB, fan and burner to control the ΔT and maximise efficiency.

These appliances can be electronically cascaded to meet the required demand (up to 800kW).

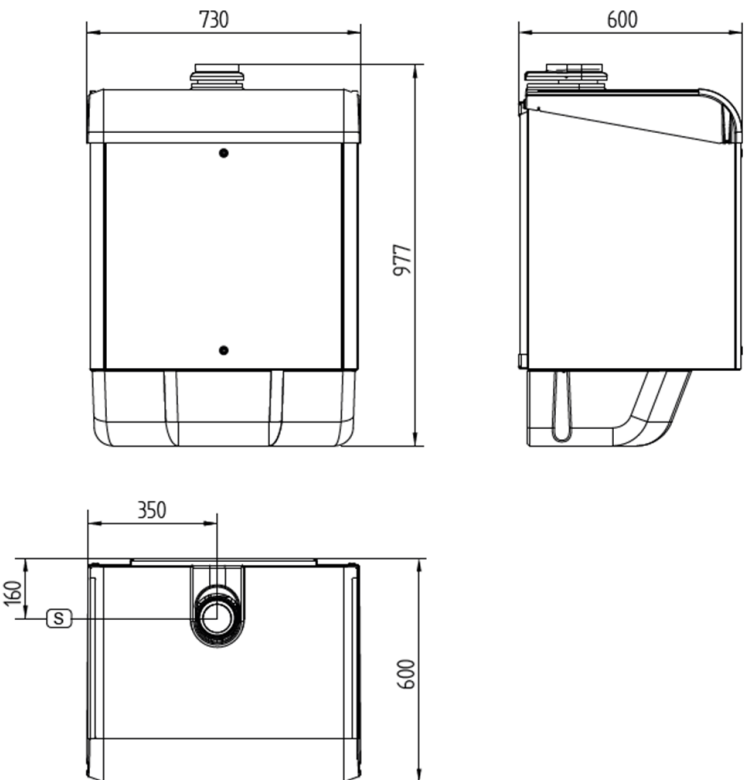
With multiple installation options for internal & external applications, the A1K series is the perfect solution for purposes such as underfloor heating, pool/spa heating, HVAC applications and DHW via an Aleabrax heat exchange tank.

		A1K 50	A1K 100
Order Code		A1K50	A1K100
Heat Output Max, 50/30	kW	53.4	106.8
Gas Consumption	MJ/hr	198	396
Eff 100% Pn - 80/60	%	98.37	98.37
Eff 100% Pn - 50/30	%	106.8	106.8
Eff 30% Pn - 80/60	%	102.8	102.8
Eff 30% Pn - 50/30	%	108.83	108.83
Max. Operating Pressure	kPa	300	300
Min. Operating Pressure	kPa	30	30
Water Connections (A & R)	mm	32	40
Gas Connection (G)	mm	20	25
Condensate Connection	mm	25	25
Height	mm	910	977
Depth	mm	600	600
Width	mm	480	730
Weight	kg	50	95
Noise Rating	dB	52	52
Adjustable CH Range	°C	30-80 / 25-45	30-80 / 25-45
Max. Operating Temp.	°C	95	95
Power Consumption (max)	W	108	216
Power Consumption (standby)	W	3.5	7

Dimensions - A1K 50 Rain



Dimensions - A1K 100



Flueing Options

The Aleabrax Rain boilers need to be fitted with a stainless steel flue terminal to complete the installation.

Typical installs will have a basic vertical terminal as shown below.



50kw - 80mm flue kit

100kw - 100mm flue kit

Options are available to extend the flueing system to ensure relevant clearances are met.

Please refer to the installation manual for more information.

Flueing installations must done in accordance with AS/NSZ 5601.

Accessories

Accessories	Order Code
Easy Remote for Aleabrax Condensing Appliances	40-00017
Digital Thermostat Weekly Program	86407LA
Sensor Outdoor Temperature Weather Compensation	73518LA
Sensor Manifold and Mixing Circuit	40-00351
Sensor DHW Storage Cylinder	40-00346
Sensor Solar Collector	31409LA
Divertor Valve Kit RS for DHW Storage Tank Connection 40mm	26097LP
External Vertical Terminal S/S 80mm 50kw	50-00377
External Vertical Terminal S/S 100mm 100kw	80019LA

Care has been taken to ensure that all information is as accurate as possible at the time of publication. However, specifications, methods and figures are subject to change without prior notice.

For more information visit:

aleabraxsystems.com.au

or call 1300 132 949

Rev. 07/19

Local Distributor: