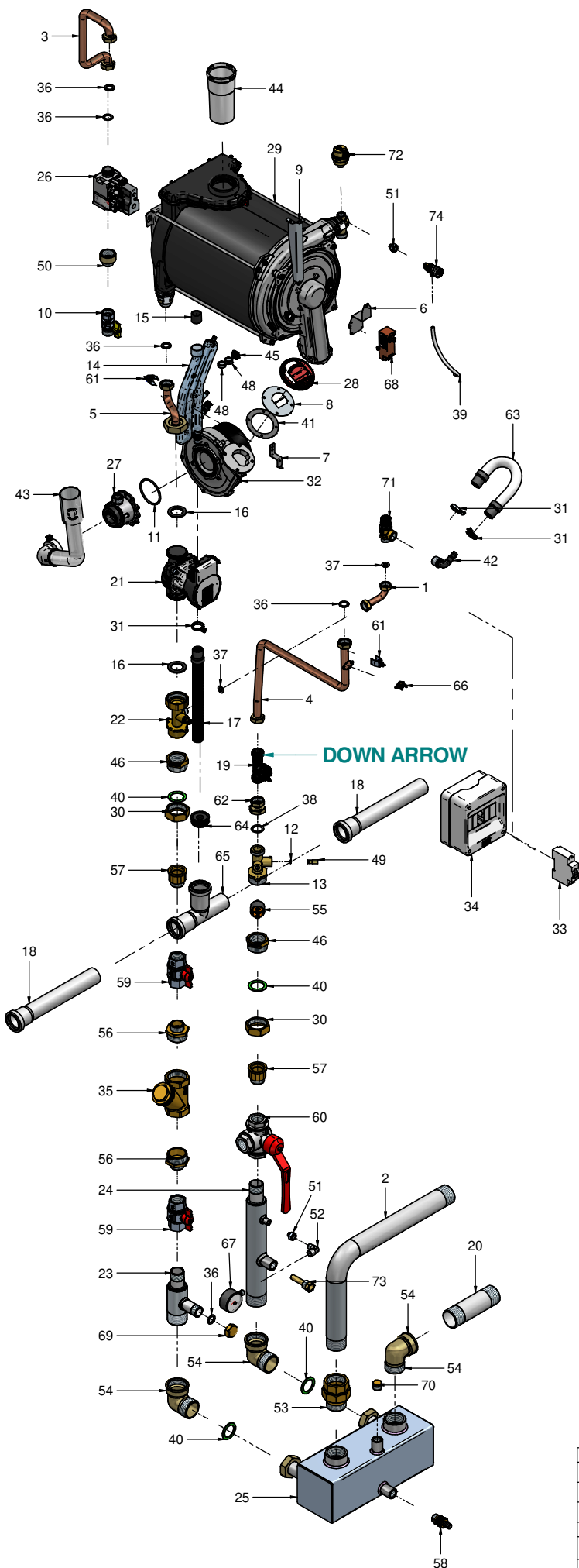


N°	Code	Description	Qty
1	12-01964	COMPLETE BASE - SINGLE BOX MODULO 2	1
2	12-02293	COMPLETE REAR FRAME - SINGLE BOX MODULO SU	1
3	15-01168	GEWISS BOX MOUNTING BRACKET - BOX 50	1
4	15-01480	MANIFOLD RIGHT/LEFT BRACKET FOR SINGLE/DOUBLE	4
5	15-01484	LEFT SIDE BRACKET FOR MANIFOLD CROSS ELEMENT-	1
6	15-01485	RIGHT SIDE BRACKET FOR MANIFOLD CROSS	1
7	15-01567	CONTROL PANEL CROSSPIECE R1BK50	1
8	15-01593	RIGHT-LEFT SIDE CASING BULKHEAD - SINGLE/DOUBLE	1
9	15-01595	RIGHT SIDE CASING BULKHEAD - DOUBLE MODULO	1
10	15-01597	RIGHT-LEFT SIDE CASING PANEL BULKHEAD - GAS -	2
11	15-01604	BOTTOM BOILER PLATE R1BK50 SINGLE BOX MODULO	1
12	15-01660	TOP BRACKET	1
13	15-01676	CASING LEFT SIDE PANEL - SINGLE BOX MODULO - SU	1
14	15-01682	TOP HEAD - SINGLE BOX MODULO SU	1
15	15-01683	CASING FRONT PANEL - SINGLE BOX - MODULO SU	1
16	15-01688	CASING RIGHT SIDE PANEL - SINGLE BOX - MODULO SU	1
17	15-01971	SLAVE CONTROL PANEL LEFT SIDE BRACKET - R1K 100	1
18	15-01972	SLAVE CONTROL PANEL RIGHT SIDE BRACKET R1K 100	1
19	35-00118	RAIN PROTECTION COVER - RAL 7035	1
20	35-00153	RAIN CASING TOP COVER - THERMOFORMED	1
21	35-00161	TOP HEAD INSULATION - SINGLE BOX MODULO	1
22	35-00195	CASING LEFT SIDE PANEL INSULATION - SINGLE BOX	1
23	35-00196	CASING RIGHT SIDE PANEL INSULATION - SINGLE BOX	1
24	35-00198	BOX DOOR INSULATION - BOX MODULO SU	1
25	89152NA	KEY FOR METALLIC BOX/CASING	1
26	89207NA	CONDENSATE DRAIN CAP	2

Disegnatore	Rev.	data revisione	Autore revisione	Descrizione revisione
marco.giorgi	01	26/11/2019	Marco Giorgi	SOSTITUIRE STAFFE QUADRO
Modificato				
marco.giorgi				
Data di creazione	Scala	Materiale	Sp.	Peso (Kg)
15/03/2018	1:10			
Note				
Descrizione completa SINGLE BOX MODULO 2 1" 1/2 MANIFOLD				
Codice				Revisione
35-00208				01

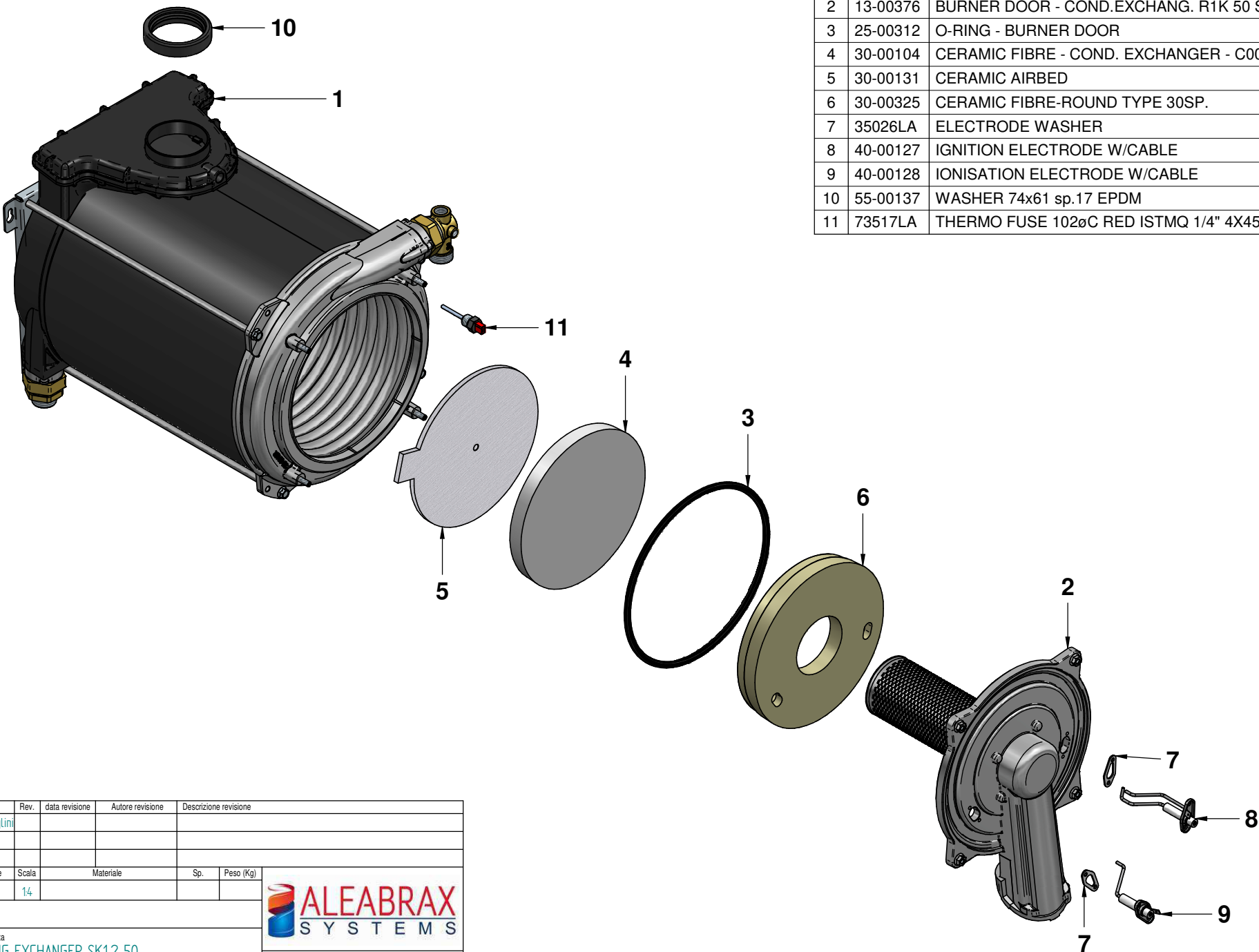




N°	Code	Description	Qt.
1	12-01612	PIPE Ø14 SAFETY VALVE	1
2	12-02191	HEATING RETURN MANIFOLD 1" 1/2 - R1BK50 SINGLE	1
3	12-02359	PIPE Ø18 GAS INLET - MODULO R1BK50	1
4	12-02510	PIPE Ø18 HEATING FLOW	1
5	12-02833	PIPE Ø18 HTG RETURN	1
6	15-00996	IGNITION TRANSFORMER MOUNTING PLATE	1
7	15-01461	CONDENSATE TRAP SUPPORT BRACKET	1
8	15-01624	BURNER FLANGE 34+50 KW SK.3	1
9	15-01673	EXCHANGER MOUNTING BRACKET	1
10	25-00070	ISOLATING VALVE 3/4" - YELLOWHANDLE	1
11	25-00386	O-RING 62.00x3 VENTURI	1
12	25-00404	OR 5,00x2 EPDM	1
13	25-00429	HEATING FLOW MANIFOLD MM 1"1/4x1	1
14	25-00525	CONDENSATE TRAP/SIPHON IN PP	1
15	25-00526	CONDENSATE DRAIN TERMINAL	2
16	25-00531	WASHER 1"1/2 EPDM	2
17	25-00605	CONDENSATE DRAIN PIPE 150 mm SINGLE BOX	1
18	25-00606	CONDENSATE DRAIN PIPE NIPREN GREY 40x2mt MF L=	2
19	25-00628	FLOW-METER DN15	1
20	25-00633	HEATING FLOW MANIFOLD 1" 1/2 - R1BK50 SINGLE BOX	1
21	25-00716	CIRCULATING PUMP Para 25-130/8-75 /IPWM1-12	1
22	25-00815	HEATING RETURN MANIFOLD M/F 1"1/4x1"1/2	1
23	26082LA	HEATING RETURN MANIFOLD 1" 1/2 - HYDRAULIC	1
24	26113LA	HEATING FLOW MANIFOLD 1" 1/2 - HYDRAULIC	1
25	26205LA	HYDRAULIC COMPENSATOR R1K 50-R1BK 50	1
26	30-00134	GAS VALVE - SIT 848 SIGMA	1
27	30-00214	VENTURI NAT.GAS	1
28	30-00286	FLANGE WASHER WITH CLAPET	1
29	30-00334	RADIANT EXCHANGER SK1.2 50 MONOTHERMIC	1
30	33032LA	GAS VALVE CAP 1" 1/2 OT	2
31	38525LA	BIFILAR CLAMP SPRING TYPE 24.4-26	3
32	40-00244	EXHAUST FAN RG128/1300	1
33	40-00402	ON/OFF SWITCH BTDIN45 1P+ N 6A 4.5KA	1
34	40-00404	BOX GEWISS 6M IP40 40 CD 140x155x85	1
35	41036LA	FILTER F/F 1-1/2" G - 050040000	1
36	43001LA	WASHER Ø 23.5x17x2 3/4" -AFM34	7
37	43002LA	WASHER Ø 18.5x10.2x2 1/2" -AFM34	2
38	43005LA	WASHER D.30x23x2 1" AFM34	1
39	43018LA	SYLICON/TRANSPARENT PIPE Ø8x4	1
40	43235LA	WASHER 44x35x2 AFM341"1/2	4
41	43278LA	FLANGE WASHER D.82 EPDM	1
42	45-00054	ELBOW CONNECTION 1/2"x16 M	1
43	50-00397	AIR INTAKE PIPE - LEFT MOUNTING	1
44	50-00406	FLUE CONNECTION Ø60 MF PPL - L= 130 - KIT DN 60 -	1
45	50015LA	POWER SUPPLY CABLE FIXING	1
46	55-00018	HEXAGONAL ADAPTER 1"1/2M-1"1/4F	2
47	55-00240	LOCKING NUT 4x6 FOR THE SAFETY VALVE	1
48	55-00313	METRIC SNAP-FIT GROMMETS	2
49	55-00495	PLUG FOR HYDROMETER CONNECTION	1
50	55-00560	ADAPTER 1" F - 3/4" M CONICAL R1BK 100 - DOUBLE	1
51	56048LA	ADAPTER 2520 1/8-1/4	2
52	56057LA	ELBOW CONNECTION 1/4" MF	1
53	56073LA	STRAIGHT CONNECTION 3 PCS. 1" 1/2 MF w/O-RING	1
54	56074LA	ELBOW FITTING 1"1/2 MF BRASS - 2700F8H141400A	3
55	59015LA	WATER PRESSURE SWITCH PC5411	1
56	65515LA	NIPPLES 1"1/2X1 G BRASS	2
57	65516LA	BRASS UNION PIPE 1" 44.5x40w/CAP 1"-1/2	2
58	67003LA	DRAIN VALVE RSC/G 1/2"	1
59	67031LA	WATER SUPPLY VALVE F/F 1" G - 020110	2
60	67033LA	DIVERTER VALVE "T" FFF - 12110	1
61	73516LA	HTG CLIP SENSOR X PIPE 17/18mm BLUE	2
62	83914LP	SHORT PIPE D.18 AQUAMIX/TANK 3/4"-1"	1
63	84196LP	CONDENSATE DRAIN PIPER	1
64	84203LA	BLACK CAP 40x26/30/32 NIPREN - 30900300091	1
65	84240LA	"T"NIPREN CONNECTION 87-30 BRAGA 40/40	1
66	86006LA	SAFETY THERMOSTAT 95gr(ø)E.	1
67	86057LA	WATER PRESSURE GAUGE 1/4	1
68	88023LA	IGN.TRANSFORMER AC 230VAC50-60HZ	1
69	89022LA	BRASS CAP 3/4" E. 30	1
70	89195NA	BRASS CAP 1/2" M	1
71	96005LA	SAFETY VALVE 1/2" 3 bar	1
72	96012LA	AUTOMATIC AIR VENT VALVE 3/8"	1
73	96044LA	INSPECTION MANHOLE 1/2"	1
74	96055LA	AIR VENT VALVE 1/4 METAL	1

Disegnatore	Rev.	data revisione	Autore revisione	Descrizione revisione
marco.giorgi	01	10/11/2020	Marco Giorgi	SOSTITUZIONE CIRCOLATORE
Modificato				
marco.giorgi				
Data di creazione	Scala	Materiale	Sp.	Peso (Kg)
15/01/2019	1:10			
Note				
Descrizione completa				
F 50 SK3 POWER TECH 1" 1/2				
MODULO S.U				
Codice				Revisione
G50KA182F606				00

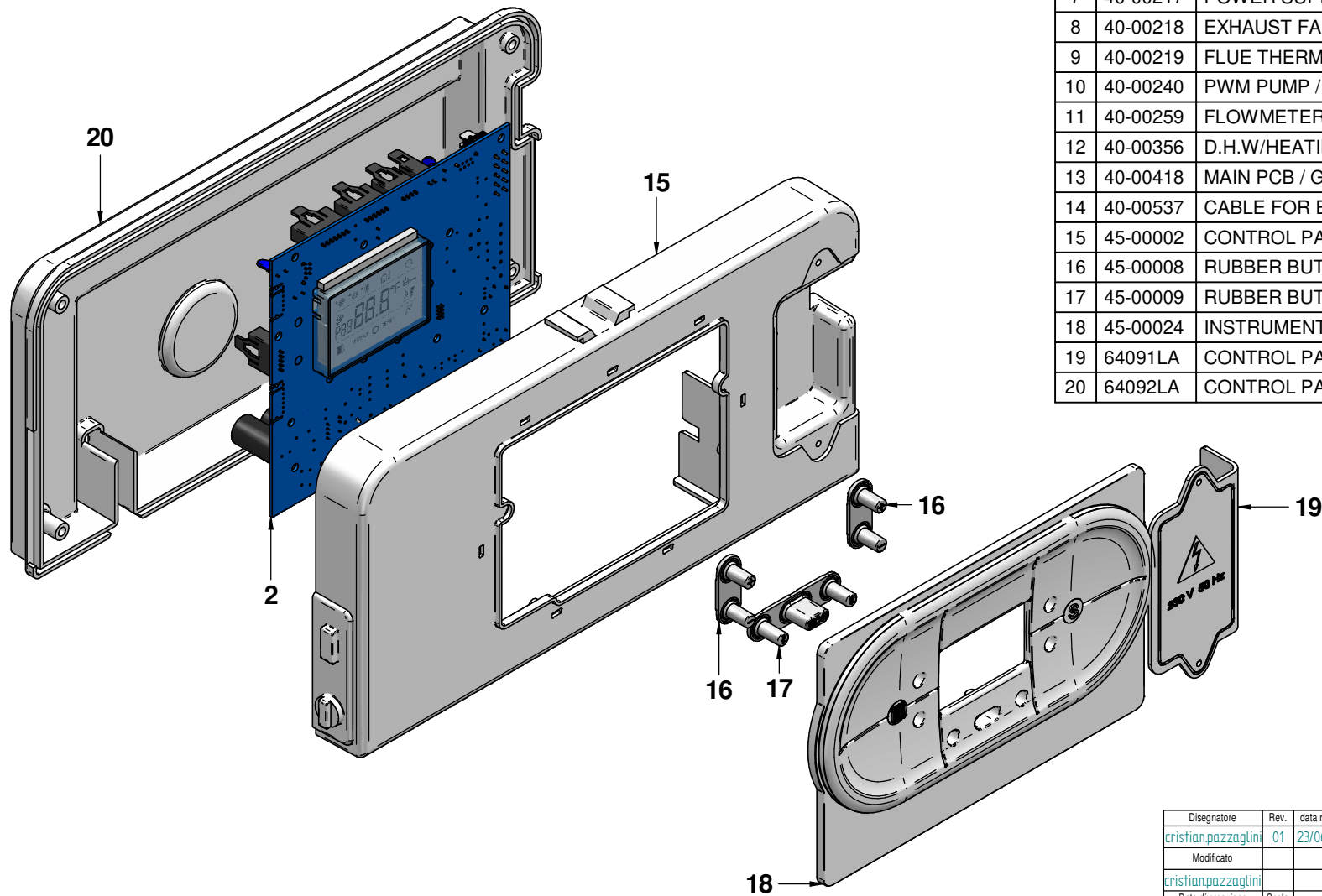




N°	Code	Description	Qty
1	13-00355	COND. EXCHANGER WITHOUT DOOR - SINGLE PIPE - R1K 50	1
2	13-00376	BURNER DOOR - COND.EXCHANG. R1K 50 SK1.2	1
3	25-00312	O-RING - BURNER DOOR	1
4	30-00104	CERAMIC FIBRE - COND. EXCHANGER - C0084TR021	1
5	30-00131	CERAMIC AIRBED	1
6	30-00325	CERAMIC FIBRE-ROUND TYPE 30SP.	1
7	35026LA	ELECTRODE WASHER	2
8	40-00127	IGNITION ELECTRODE W/CABLE	1
9	40-00128	IONISATION ELECTRODE W/CABLE	1
10	55-00137	WASHER 74x61 sp.17 EPDM	1
11	73517LA	THERMO FUSE 102øC RED ISTMQ 1/4" 4X45 - TSD2921	1

Disegnatore	Rev.	data revisione	Autore revisione	Descrizione revisione
cristian.pazzaglini				
Modificato				
marco.giorgi				
Data di creazione	Scala	Materiale	Sp.	Peso (Kg)
07/03/2018	14			
Note				
Descrizione completa CONDENSING EXCHANGER SK1.2 50				
Codice		Revisione		
30-00334		00		





N°	Code	Description	Qty
1	31370LA	PUMP CABLE	1
2	40-00077	PRINTED CIRCUIT BOARD CS R2	1
3	40-00097	WATER PRESSURE SWITCH CABLE	1
4	40-00103	POWER SUPPLY CABLE	1
5	40-00107	FRAME-PRINTED CIRCUIT BOARD CABLE	1
6	40-00215	SAFETY THERMOSTAT CABLE	1
7	40-00217	POWER SUPPLY/FAN CABLE	1
8	40-00218	EXHAUST FAN CABLE	1
9	40-00219	FLUE THERMOSTAT CABLE	1
10	40-00240	PWM PUMP / RETURN SENSOR CABLE	1
11	40-00259	FLOWMETER CABLE	1
12	40-00356	D.H.W/HEATING SENSOR CABLE	1
13	40-00418	MAIN PCB / GAS VALVE / TRANSFORMER CABLE	1
14	40-00537	CABLE FOR EXTERNAL FLOWSWITCH CONTACT	1
15	45-00002	CONTROL PANEL	1
16	45-00008	RUBBER BUTTON "+/-"	2
17	45-00009	RUBBER BUTTON "DHW/ON/HTG"	1
18	45-00024	INSTRUMENT PANEL - OVAL	1
19	64091LA	CONTROL PANEL TERMINAL BLOCK COVER	1
20	64092LA	CONTROL PANEL BACK PLATE	1

Disegnatore	Rev.	data revisione	Autore revisione	Descrizione revisione
cristian.pazzaglini	01	23/06/2020	cristian.pazzaglini	Aggiornati due cavi + aggiunto cavo
Modificato				
cristian.pazzaglini				
Data di creazione	Scala	Materiale	Sp.	Peso (Kg)
12/02/2019	12			.576
Note				
Descrizione completa CONTROL PANEL COMPLETE A1K 50 + A1K 50 R				
Codice				Revisione
41-00327				01

